

Malleable Iron Fittings



ODLEWNIĄ ŻELIWA
ZAWIERCIE

Threads: Threads are in accordance to ISO7-1. All male threads are BSPT and female threads are BSPP.

Materials: Whiteheart malleable EN-GJMW-400-5 cast iron, grade W40-05 according to ISO5922/DIN-1692, and tested in accordance to EN 10242

Media: Suitable for the flow of water, steam, gas or other non aggressive media.



Maximum Working Pressure:

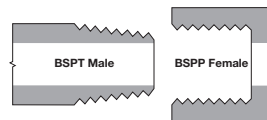
25 bar @ -20°C to +120°C
20 bar @ +300°C

Surface Finishing:

Two types are available:

Black: With an anti-corrosive varnish to protect against rust and after installation prior to plant conditioning.

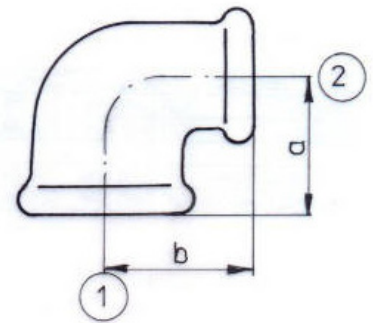
Galvanised: According to EN 10242, zinc coating weight relative to surface exceeds 500 g/m² (average layer thickness 70 micron).



Female Equal Elbow 90° (90)

Black, BSPP	
1095	
EE-MI90-14N	1/4"
EE-MI90-38N	3/8"
EE-MI90-12N	1/2"
EE-MI90-34N	3/4"
EE-MI90-1N	1"
EE-MI90-114N	1.1/4"
EE-MI90-112N	1.1/2"
EE-MI90-2N	2"
EE-MI90-212N	2.1/2"
EE-MI90-3N	3"
EE-MI90-4N	4"

Galvanised, BSPP	
1095	
EE-MI90-14	1/4"
EE-MI90-38	3/8"
EE-MI90-12	1/2"
EE-MI90-34	3/4"
EE-MI90-1	1"
EE-MI90-114	1.1/4"
EE-MI90-112	1.1/2"
EE-MI90-2	2"
EE-MI90-212	2.1/2"
EE-MI90-3	3"
EE-MI90-4	4"




Dimension [inch] (1)x(2)	Weight of carton[kg]		Quantity in carton [pc.]	Dimension [mm]	
	black	galv		a	b
3/8x1/4	10,4	11,2	200	23	23
1/2x1/4	10,5	10,8	150	24	24
1/2x3/8	11,6	11,9	150	26	26
3/4x1/4	9,5	10,1	100	26	27
3/4x3/8	10,3	10,8	100	28	28
3/4x1/2	11,6	12,2	100	30	31
1x3/8	21,9	22,7	150	30	32
1x1/2	29,3	30,5	150	32	34
1x3/4	18,9	19,2	100	35	36
11/4x1/2	19,4	22	80	35	38
11/4x3/4	21,4	21,8	80	36	41
11/4x1	21,6	22,8	70	40	42
11/2x1/2	22,2	23,6	80	36	43
11/2x3/4	21,6	22,3	70	38	44
11/2x1	21,4	21,9	60	42	46
11/2x11/4	22	22,8	50	46	48
2x1/2	21,4	23,2	55	38	48
2x3/4	21,2	21,6	50	40	50
2x1	22,2	22,7	50	44	52
2x11/4	21,8	23,3	40	48	54
2x11/2	20,7	22,1	35	52	55
21/2x11/2	21,8	23	23	55	63
21/2x2	21,9	23	23	61	66
3x11/2	22,6	23,6	20	58	71
3x2	20,9	21,7	16	64	73
3x21/2	23,1	24	15	72	76




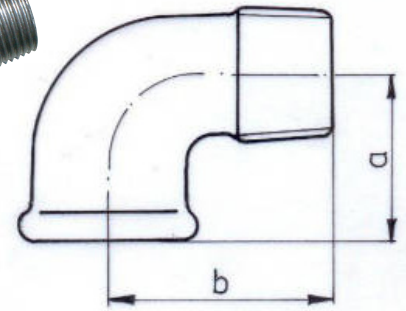
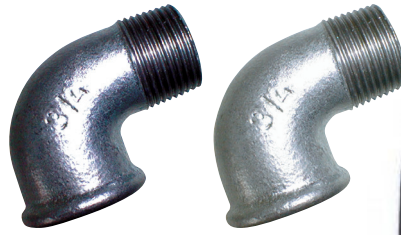
Black, BSPP		
1095		
EE-MI90-12-38N	1/2"	3/8"
EE-MI90-34-12N	3/4"	1/2"
EE-MI90-1-12N	1"	1/2"
EE-MI90-1-34N	1"	3/4"
EE-MI90-114-1N	1.1/4"	1"
EE-MI90-112-1N	1.1/2"	1"
EE-MI90-112-114N	1.1/2"	1.1/4"
EE-MI90-2-114N	2"	1.1/4"
EE-MI90-2-112N	2"	1.1/2"

Galvanised, BSPP		
1095		
EE-MI90-12-38	1/2"	3/8"
EE-MI90-34-38	3/4"	3/8"
EE-MI90-34-12	3/4"	1/2"
EE-MI90-1-12	1"	1/2"
EE-MI90-1-34	1"	3/4"
EE-MI90-114-1	1.1/4"	1"
EE-MI90-112-34	1.1/2"	3/4"
EE-MI90-112-1	1.1/2"	1"
EE-MI90-112-114	1.1/2"	1.1/4"
EE-MI90-2-1	2"	1"
EE-MI90-2-114	2"	1.1/4"
EE-MI90-2-112	2"	1.1/2"

Male x Female Equal Elbow 90° (92)


Black, BSPP Female x BSPT Male	
1095	
EE-MI92-14N	1/4"
EE-MI92-38N	3/8"
EE-MI92-12N	1/2"
EE-MI92-34N	3/4"
EE-MI92-1N	1"
EE-MI92-114N	1.1/4"
EE-MI92-112N	1.1/2"
EE-MI92-2N	2"
EE-MI92-212N	2.1/2"
EE-MI92-3N	3"


Galvanised, BSPP Female x BSPT Male	
1095	
EE-MI92-14	1/4"
EE-MI92-38	3/8"
EE-MI92-12	1/2"
EE-MI92-34	3/4"
EE-MI92-1	1"
EE-MI92-114	1.1/4"
EE-MI92-112	1.1/2"
EE-MI92-2	2"
EE-MI92-212	2.1/2"
EE-MI92-3	3"
EE-MI92-4	4"

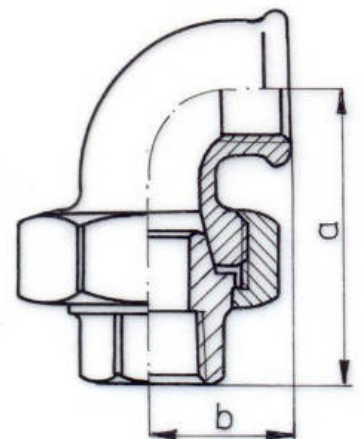
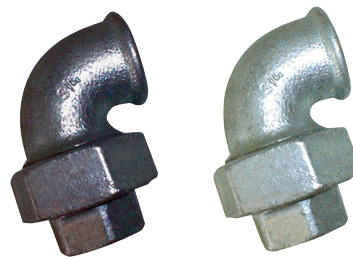


Dimension [inch]	Weight of carton [kg]		Quantity in carton [pc.]	Dimension [mm]	
	black	galv		a	b
1/4	11,4	12,3	300	21	28
3/8	13,8	14,5	250	25	32
1/2	14,4	14,9	150	28	37
3/4	10,9	11,1	80	33	43
1	21,7	22,6	100	38	52
1 1/4	20,8	21,5	55	45	60
1 1/2	21,5	22,5	45	50	65
2	16,8	17,5	25	58	74
2 1/2	15,8	16,1	15	69	88
3	15,7	16,3	10	78	98
4	11,3	11,6	4	96	118

Equal Union Elbow Taper Seat 90° (96)


Black, BSPP	
1095	
EE-MI96-38N	3/8"
EE-MI96-12N	1/2"
EE-MI96-34N	3/4"
EE-MI96-1N	1"
EE-MI96-114N	1.1/4"
EE-MI96-112N	1.1/2"
EE-MI96-2N	2"


Galvanised, BSPP	
1095	
EE-MI96-38	3/8"
EE-MI96-12	1/2"
EE-MI96-34	3/4"
EE-MI96-1	1"
EE-MI96-114	1.1/4"
EE-MI96-112	1.1/2"
EE-MI96-2	2"

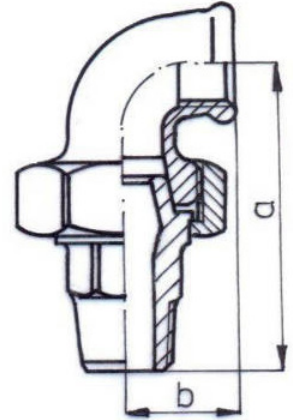
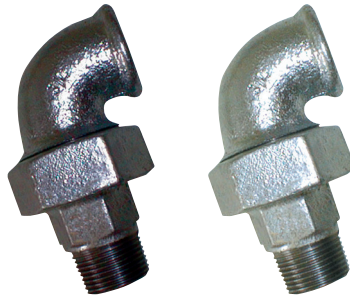


Dimension [inch]	Weight of carton [kg]		Quantity in carton [pc.]	Dimension [mm]	
	black	galv		a	b
3/8	12,6	13,1	80	52	25
1/2	17,4	18,1	60	58	28
3/4	16,4	17	45	62	33
1	21,2	22	45	72	38
1 1/4	20,9	21,4	25	82	45
1 1/2	19,7	20,5	20	90	50
2	22,9	23,7	15	100	58

Union Elbow Male x Female Taper Seat 90° (98)

Black, BSPP Female x BSPT Male	
1095	
EE-MI98-38N	3/8"
EE-MI98-12N	1/2"
EE-MI98-34N	3/4"
EE-MI98-1N	1"
EE-MI98-114N	1.1/4"
EE-MI98-112N	1.1/2"
EE-MI98-2N	2"

Galvanised, BSPP Female x BSPT Male	
1095	
EE-MI98-38	3/8"
EE-MI98-12	1/2"
EE-MI98-34	3/4"
EE-MI98-1	1"
EE-MI98-114	1.1/4"
EE-MI98-112	1.1/2"
EE-MI98-2	2"



Dimension [inch]	Weight of carton [kg]		Quantity in carton [pc.]	Dimension [mm]	
	black	galv		a	b
3/8	11,8	12,4	70	65	25
1/2	16,1	16,6	50	76	28
3/4	14,3	14,8	35	82	33
1	22,5	23,3	40	94	38
1 1/4	23	23,7	24	107	45
1 1/2	22,9	23,7	20	115	50
2	21,3	22,2	13	128	58